

MATERIAL REFERENCE

ITEM #	ITEM NAME	SWATCH
WD-101 Issued	<p>Wood - Guestroom Floor</p> <p>Location: Refer to ID Drawing Package Species: Oak Cut: Flat Finish: NU Oil®: Protective low sheen - provides a truly natural wood floor. Guaranteed quality and durability - long lasting finish 100% Renewable with Hallmark's Restoration Oil Dimension: Refer to ID Drawing Package; Plank Size: 7.5" (191 mm) W x 5.6" (142 mm) thick x 70" (17823 mm) Long Bevel 75OBAL d with 4mm Sawn Cut Face</p> <p>【WD-101】客室 床 材種:オーク材 カット:板目 メーカー:HALLMARK FLOORS アメリカの会社</p>	
WD-102 Issued	<p>Woven Rattan Panel</p> <p>Description: Custom Open Weave Rattan Panel with Trellis Pattern atop a solid wood back panel. Location: Refer to ID Drawing Package Species: Open Weave Front Panel: Rattan; Back Panel: Flat Cut White Oak</p> <p>【WD-102】織り籐パネル</p> <p>Control Sample for WD-100 Drawing Package for details</p>	
WD-103 Issued	<p>Wood - Typical Guestroom Corridor</p> <p>Location: Refer to ID Drawing Package for details Species: White Oak Type: Solids & Veneer</p> <p>【WD-103】廊下 木(基本) 材種:オーク材 種類:突板 カット:板目 仕上げ:つやなし、サンプルにて確認</p>	



PROJECT: Hilton Miyakojima
PROJECT #: 192024
AREA: Model Room
ISSUE DATE: 04/24/2020
STATUS: Issued

SPECIFICATION

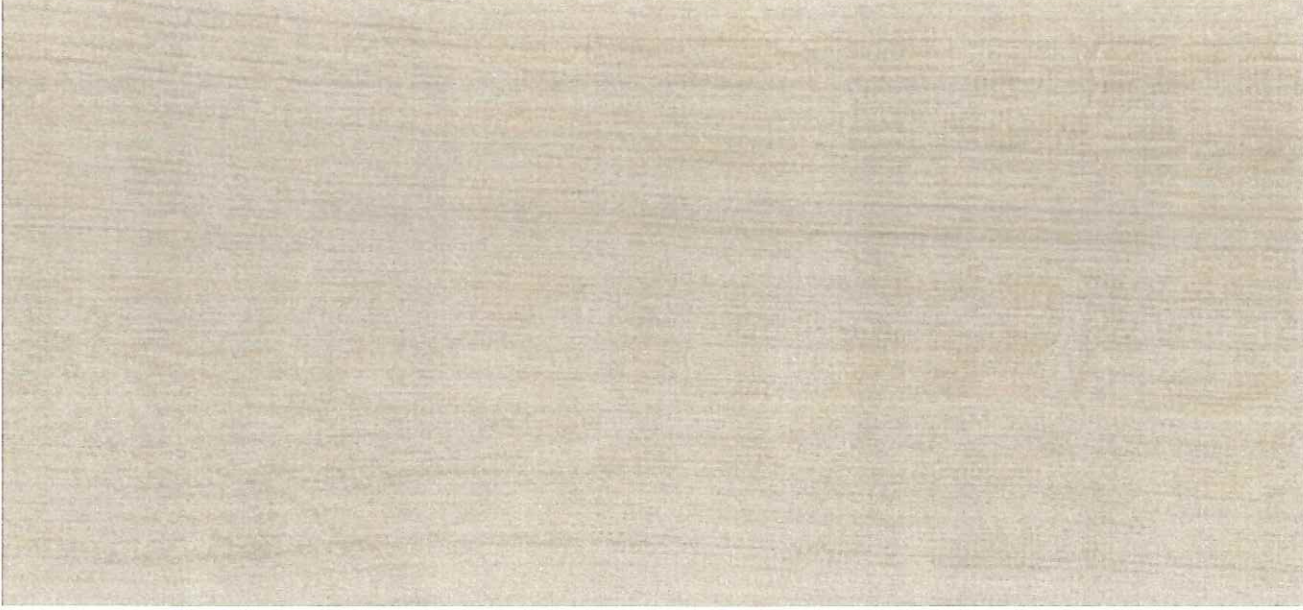


Image shown for wood species and finish direction only

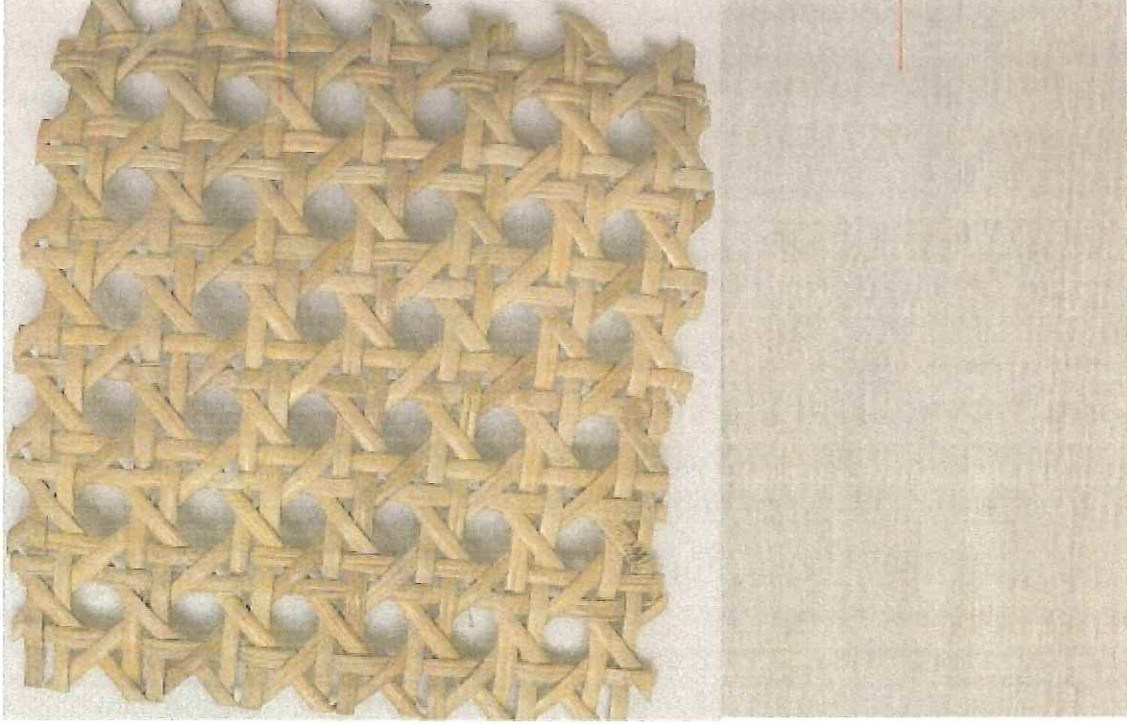
BY	QTY.	ITEM	ITEM #
GB	1 EACH	Wood - Guestroom Typical Wall/Millwork	WD-100

Hilton Miyakojima



PROJECT: Hilton Miyakojima
PROJECT #: 192024
AREA: Model Room
ISSUE DATE: 04/24/2020
STATUS: Issued

SPECIFICATION

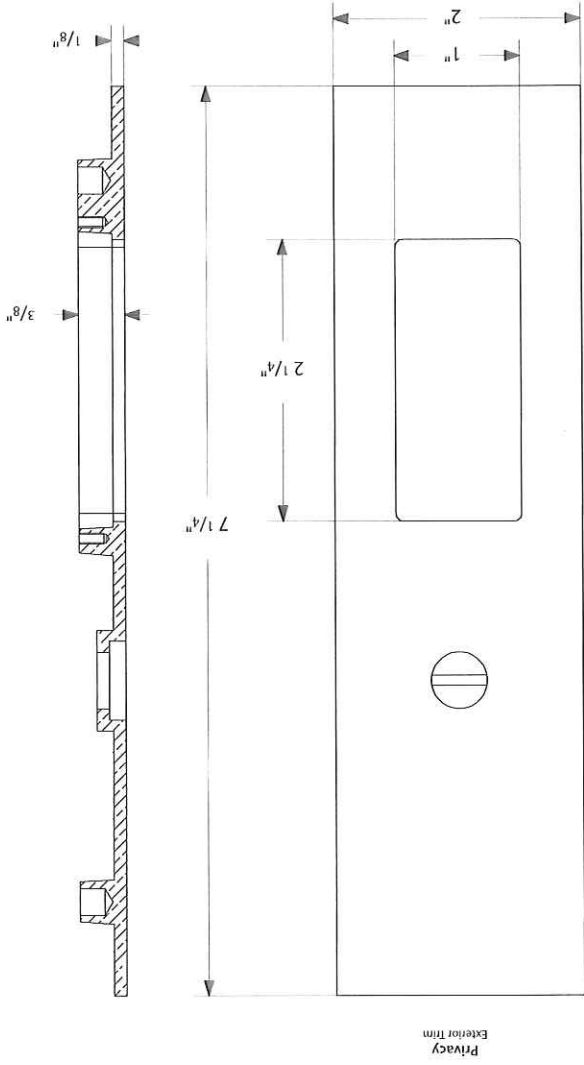
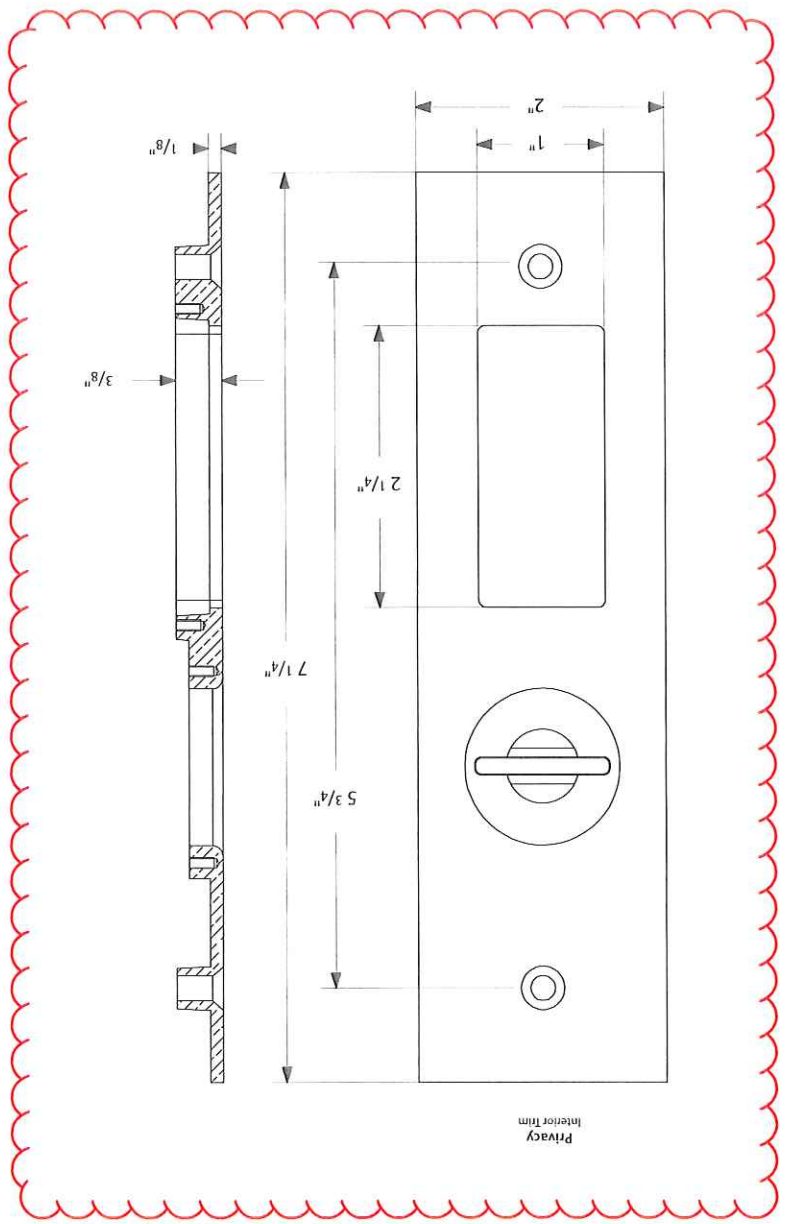


Rattan Weave
Trellis Pattern;
see image below
for correct finish

Cerused Oak with
Natural Finish to
match Designer
Control Sample
(WD-100); Wood &
Finish for back
panel.

BY	QTY.	ITEM	ITEM #
GB	1 EACH	Woven Rattan Panel	WD-102

Narrow Modern Rectangular Pocket Door Mortise Lock - Privacy Function



585

*NOTE: NOT DRAWN TO SCALE.

2155 Rev. 08/08/2019

